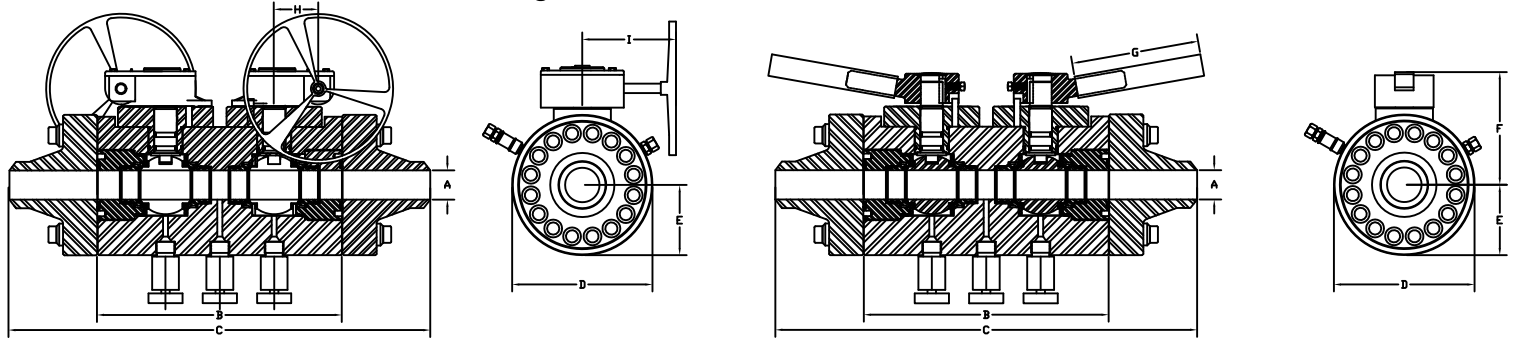


Double Ball Valves

BV1-Floating Ball Valve, BV2-Trunnion Ball Valve



Working Pressure psi (bar)	Model	Nominal Valve Size in (mm)	Assembly Base No.	Std. End Configuration	A Port Size in (mm)	B Body Group Length in (mm)	C Weld Ends Overall in (mm)	D Body Width in (mm)	E Below Center in (mm)	F Height of Handle in (mm)	G Length of Extension in (mm)	H Offset from Center in (mm)	I Hand Wheel from Center in (mm)
3705 (255)	BV1	1 (25)	429-	SLP x SLP	13/16 (21)	8 (203)	16 (407)	4 1/8 (105)	2 1/16 (52)	4 5/16 (110)	24 (610)	-	-
		2 (51)	416-	SLP x SLP	1 1/2 (38)	10 (254)	20 1/2 (521)	5 1/2 (140)	2 3/4 (70)	5 1/32 (128)	24 (610)	-	-
		3 (76)	423-	SLP x SLP	2 9/16 (65)	13.28 (337)	24.78 (630)	7 1/2 (191)	3 3/4 (95)	6 27/32 (174)	24 (610)	-	-
		4 (102)	424-	WNF x WNF	3 1/4 (83)	18 (457)	28 (711)	9 (229)	4 1/2 (114)	7 15/16 (202)	24 (610)	-	-
	BV2	3 (76)	422-	SLP x SLP	2 9/16 (65)	13.28 (337)	24.78 (629)	7 1/2 (191)	3 3/4 (95)	6 7/8 (175)	24 (610)	-	-
		4 (102)	423-	SLP x SLP	3 1/4 (83)	13.28 (337)	24.78 (630)	8 3/4 (222)	4 3/8 (111)	7 15/16 (202)	24 (610)	2.80 (71)	7.91 (201)
		4 (102)	425-	WNF x WNF	3 3/4 (95)	18 (457)	28 (711)	9 1/2 (241)	4 3/4 (121)	8 1/32 (204)	32 (813)	2.80 (71)	7.91 (201)
		6 (152)	426-	WNF x WNF	5 3/16 (132)	23 (584)	36 (915)	12 7/8 (327)	6 7/16 (164)	10 3/8 (264)	48 (1220)	3.39 (86)	7.44 (189)
		8 (203)	456-	WNF x WNF	7 1/16 (179)	28 (711)	42 (1092)	16 1/2 (419)	8 1/4 (210)	-	-	5.12 (130)	10.83 (275)
		10 (254)	458-	WNF x WNF	9 1/16 (230)	34 (864)	49 (1245)	20 (508)	10 (254)	-	-	5.12 (130)	10.83 (275)
12 (305)	464-	WNF x WNF	9 3/4 (250)	38 (965)	55 (1397)	22 1/2 (572)	11 1/4 (286)	-	-	-	-	-	
5000 (344)	BV1	1 (25)	429-	SLP x SLP	13/16 (21)	8 (203)	16 (407)	4 1/8 (105)	2 1/16 (52)	4 5/16 (110)	24 (610)	-	-
		2 (51)	416-	SLP x SLP	1 1/2 (38)	10 (254)	20 1/2 (521)	5 1/2 (140)	2 3/4 (70)	5 1/32 (128)	24 (610)	-	-
		3 (76)	423-	SLP x SLP	2 9/16 (65)	13.28 (337)	24.78 (630)	7 1/2 (191)	3 3/4 (95)	6 27/32 (174)	24 (610)	-	-
		4 (102)	424-	WNF x WNF	3 1/4 (83)	18 (457)	28 (711)	9 (229)	4 1/2 (114)	7 15/16 (202)	24 (610)	-	-
	BV2	3 (76)	422-	SLP x SLP	2 9/16 (65)	13.28 (337)	24.78 (629)	7 1/2 (191)	3 3/4 (95)	6 7/8 (175)	24 (610)	-	-
		4 (102)	424-	WNF x WNF	3 1/4 (83)	18 (457)	28 (711)	9 (229)	4 1/2 (114)	7 15/16 (202)	8 5/32 (207)	3.39 (86)	7.44 (189)
		6 (152)	428-	WNF x WNF	4 3/4 (121)	23 (584)	36 (915)	13 (330)	6 1/2 (165)	-	-	3.39 (86)	7.44 (189)
		6 (152)	436-	WNF x WNF	5 3/16 (132)	23 (584)	36 (915)	12 7/8 (327)	6 7/16 (164)	-	-	3.39 (86)	7.44 (189)
		8 (203)	456-	WNF x WNF	7 1/16 (179)	28 (711)	42 (1092)	16 1/2 (419)	8 1/4 (210)	-	-	5.12 (130)	10.83 (275)
		10 (254)	458-	WNF x WNF	9 1/16 (230)	34 (864)	49 (1245)	20 (508)	10 (254)	-	-	5.12 (130)	10.83 (275)
12 (305)	464-	WNF x WNF	9 3/4 (250)	38 (965)	55 (1397)	22 1/2 (572)	11 1/4 (286)	-	-	-	-	-	
6000 (413)	BV1	1 (25)	429-	SLP x SLP	13/16 (21)	8 (203)	16 (407)	4 1/8 (105)	2 1/16 (52)	4 5/16 (110)	24 (610)	-	-
		2 (51)	416-	SLP x SLP	1 1/2 (38)	10 (254)	20.5 (521)	5 1/2 (140)	2 3/4 (70)	5 1/32 (128)	24 (610)	-	-
		3 (76)	423-	SLP x SLP	2 9/16 (65)	13.28 (337)	24.78 (630)	7 1/2 (191)	3 3/4 (95)	6 27/32 (174)	24 (610)	-	-
		4 (102)	424-	WNF x WNF	3 1/4 (83)	18 (457)	28 (711)	9 (229)	4 1/2 (114)	7 15/16 (202)	24 (610)	-	-
	BV2	3 (76)	421-	SLP x SLP	2 1/4 (57)	13.28 (337)	24.78 (629)	7 1/2 (191)	3 3/4 (95)	6 13/16 (173)	24 (610)	-	-
		4 (102)	424-	WNF x WNF	3 1/4 (83)	18 (457)	28 (711)	9 (229)	4 1/2 (114)	7 15/16 (202)	8 5/32 (207)	3.39 (86)	7.44 (189)
		6 (152)	428-	WNF x WNF	4 3/4 (121)	23 (584)	36 (915)	13 (330)	6 1/2 (165)	-	-	3.39 (86)	7.44 (189)
		8 (203)	456-	WNF x WNF	7 1/16 (179)	28 (711)	42 (1092)	16 1/2 (419)	8 1/4 (210)	-	-	5.12 (130)	10.83 (275)
		10 (254)	458-	WNF x WNF	9 1/16 (230)	34 (864)	49 (1245)	20 (508)	10 (254)	-	-	5.12 (130)	10.83 (275)
		12 (305)	464-	WNF x WNF	9 3/4 (250)	38 (965)	55 (1397)	22 1/2 (572)	11 1/4 (286)	-	-	-	-
10,000 (689)	BV1	1 (25)	429-	SLP x SLP	13/16 (21)	8 (203)	16 (407)	4 1/8 (105)	2 1/16 (52)	4 5/16 (110)	24 (610)	-	-
		2 (51)	430-	SLP x SLP	1-1/2 (38)	11 (280)	21 1/2 (546)	6 (152)	3 (76)	5 1/8 (130)	24 (610)	-	-
	BV2	3 (76)	433-	-	-	-	-	-	-	-	-	-	-
		4 (102)	434-	-	-	-	-	-	-	-	-	-	-
		6 (152)	435-	WNF x WNF	4 1/8 (105)	28 1/2 (724)	41 (1041)	12 3/4 (324)	6 3/8 (162)	-	-	4.11 (104)	9.06 (230)
		8 (203)	461-	WNF x WNF	6.225 (158)	33 1/2 (851)	55 1/2 (1283)	17 1/2 (445)	8 1/2 (216)	-	-	-	-
		10 (254)	462-	-	-	-	-	-	-	-	-	-	-
12 (305)	464-	WNF x WNF	9 3/4 (250)	38 (965)	55 (1397)	22 1/2 (572)	11 1/4 (286)	-	-	-	-		
15,000 (1,034)	BV1	1 (25)	437-	WNF x WNF	.60 (15)	8.375 (212)	14 3/8 (365)	4 3/8 (111)	2 3/16 (56)	4 11/32 (110)	24 (610)	-	-
	BV2	2 (51)	438-	WNF x WNF	1-1/2 (38)	12 1/2 (318)	21 1/2 (546)	7.20 (183)	3.6 (91)	5.38 (148)	-	-	



Assembly Part Numbers for Double Ball Valves

