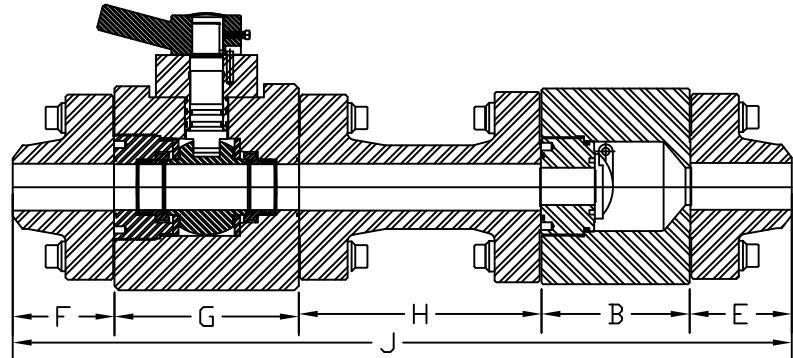
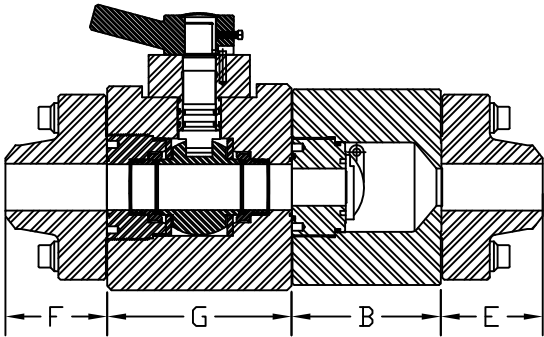
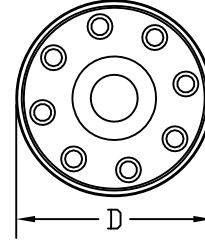
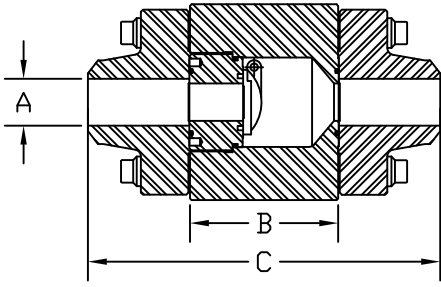


Check Valves



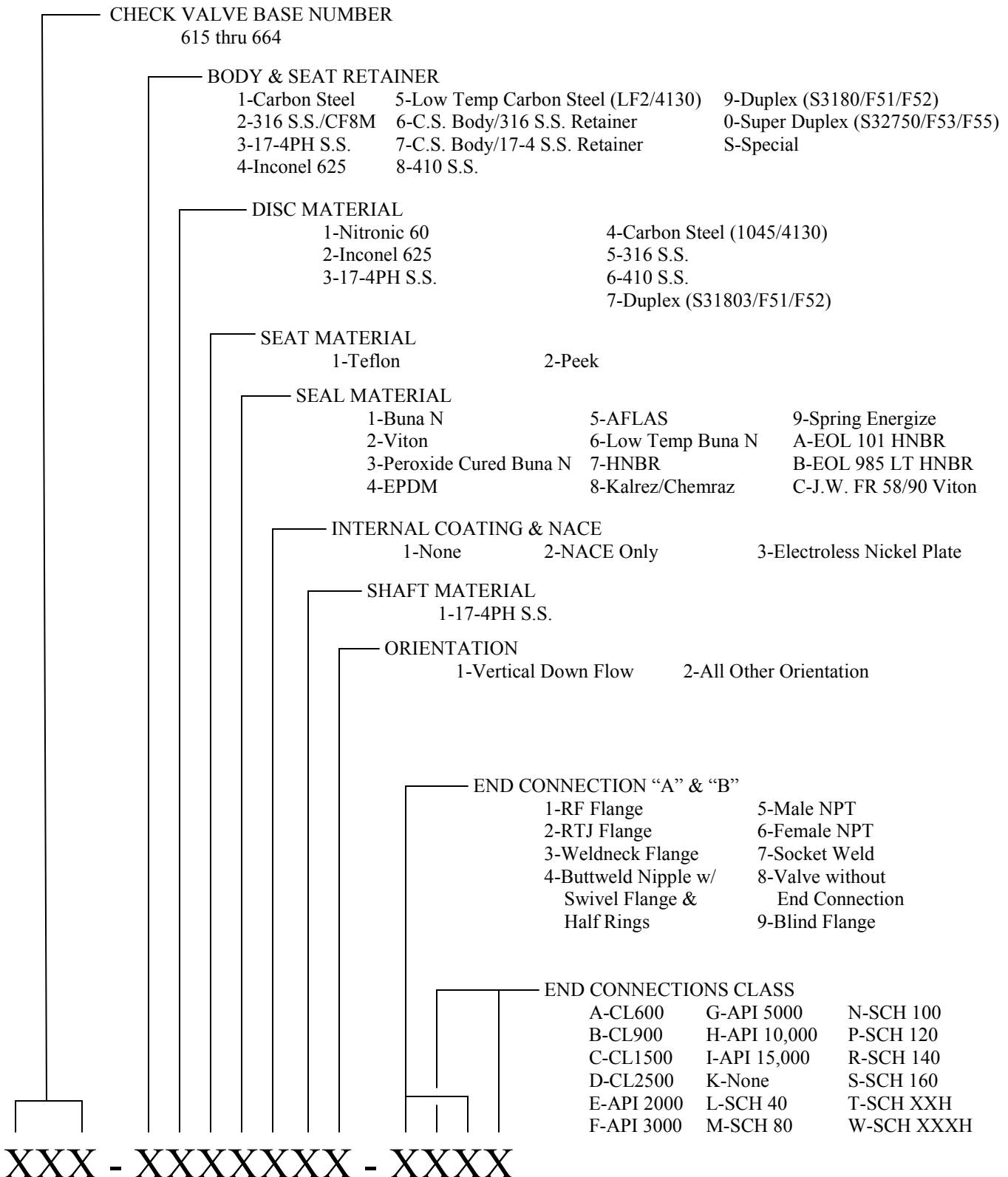
THIS COMBINATION APPLIES ONLY TO 2" MODEL BV1 BALL VALVES & 2" MODEL CHECK VALVES WITH 3705, 5,000, & 6,000 PSI WORKING PRESSURE

THIS COMBINATION APPLIES ONLY TO ALL OTHER MODEL BV1 & BV2 BALL VALVES & ALL MODEL CV CHECK VALVES WITH OTHER SIZES & WORKING PRESSURE

				A	B	C	D	E	F	G	H	I
Working Pressure psi (bar)	Nominal Valve Size in (mm)	Assembly Base No.	Std. End Configuration	Port Size in (mm)	Body Group Length in (mm)	Weld Ends Overall in (mm)	Body Width in (mm)	Check Valve Nipple Length	Ball Valve Nipple Length	Ball Body Group Length	Spool Length	Ball & Check Weldends Overall
3705 (255)	1 (25)	615-	SLP x SLP	13/16 (21)	4 (102)	12 (305)	4 1/8 (105)	4 (102)	4 (102)	4 (102)	6 (152)	22 (559)
	2 (51)	616-	SLP x SLP	1 1/2 (38)	4 (102)	14 1/2 (368)	5 1/4 (133)	5 1/4 (133)	5 1/4 (133)	5 (127)	0 (0)	19 1/2 (495)
	3 (76)	621-	SLP x SLP	2 3/8 (60)	5 (127)	16 1/2 (419)	6 1/4 (159)	5 3/4 (146)	5 3/4 (146)	7 (178)	8 (203)	31 1/2 (800)
	4 (102)	625-	SLP x SLP	3 5/8 (92)	7 (178)	20 (508)	8 (203)	6 1/2 (165)	5 (127)	10 (254)	8 1/2 (216)	37 (940)
	6 (152)	626-	SLP x SLP	5 (127)	9 (229)	22 (559)	10 (254)	6 1/2 (165)	5 (127)	12 (305)	9 (229)	41 1/2 (1,054)
	8 (203)	650-	SLP x SLP	7 1/16 (179)	12 (305)	26 (660)	14 1/4 (362)	7 (178)	7 (178)	15 (381)	12 (305)	53 (1,346)
	10 (254)	652-	WNF x WNF	8 1/2 (216)	15 (381)	30 (762)	16 3/4 (425)	7 1/2 (191)	7 1/2 (191)	17 (432)	12 (305)	59 (1,499)
5000/6000 (344)/(413)	1 (25)	615-	SLP x SLP	13/16 (21)	4 (102)	12 (305)	4 1/8 (105)	4 (102)	4 (102)	4 (102)	6 (152)	22 (559)
	2 (51)	616-	SLP x SLP	1 1/2 (38)	4 (102)	14 1/2 (368)	5 1/4 (133)	5 1/4 (133)	5 1/4 (133)	5 (127)	0 (0)	19 1/2 (495)
	3 (76)	621-	SLP x SLP	2 3/8 (60)	5 (127)	16 1/2 (419)	6 1/4 (159)	5 3/4 (146)	5 3/4 (146)	7 (178)	8 (203)	31 1/2 (800)
	4 (102)	624-	SLP x SLP	3 1/8 (79)	6 1/2 (165)	19 1/2 (495)	8 (203)	6 1/2 (165)	5 (127)	10 (254)	8 (203)	36 (914)
	6 (152)	628-	SLP x SLP	5 (127)	10 (254)	23 (584)	11 1/2 (292)	6 1/2 (165)	6 1/2 (165)	13 (330)	12 (305)	48 (1,219)
	8 (203)	650-	SLP x SLP	7 1/16 (179)	12 (305)	26 (660)	14 1/4 (362)	7 (178)	7 (178)	15 (381)	12 (305)	53 (1,346)
	10 (254)	654-	WNF x WNF	8 1/2 (216)	15 (381)	30 (762)	17 1/4 (438)	7 1/2 (191)	7 1/2 (191)	17 (432)	12 (305)	59 (1,499)
10,000 (689)	1 (25)	629-	SLP x SLP	13/16 (21)	4 (102)	12 (305)	4 1/8 (105)	4 (102)	4 (102)	4 (102)	6 (152)	22 (559)
	2 (51)	630-	SLP x SLP	1 1/2 (38)	5 1/2 (140)	16 (406)	5 7/8 (149)	5 1/4 (133)	5 1/4 (133)	5 1/2 (140)	7 1/2 (191)	29 (737)
	3 (76)	633-	WNF x WNF	2 3/4 (70)	8 (203)	18 (457)	8 3/4 (222)	5 (127)	5 (127)	8 (203)	9 (229)	35 (889)
	4 (102)	634-	WNF x WNF	3 1/16 (78)	8 (203)	18 (457)	8 3/4 (222)	5 (127)	5 1/2 (140)	9 (229)	9 1/2 (241)	37 (940)
	6 (152)	635-	SLP x SLP	4 1/16 (103)	10 (254)	23 (584)	11 1/2 (292)	6 1/2 (165)	6 1/4 (159)	12 (305)	13 (330)	47 3/4 (1,213)
	8 (203)	661-	WNF x WNF	6.225 (158)	12 (305)	28 (711)	14 1/2 (368)	8 (203)	8 (203)	15 (381)	12 (305)	55 (1,397)
	10 (254)	662-	WNF x WNF	7 3/4 (197)	14 (356)	32 (813)	17 1/4 (438)	9 (229)	8 (203)	17 (432)	-	-
15,000 (1,034)	1 (25)	637-	WNF x WNF	13/16 (21)	4 (102)	10 (254)	4 1/8 (105)	3 (76)	3 (76)	4 3/4 (121)	-	-
	2 (51)	638-	WNF x WNF	1 3/8 (35)	5 1/2 (140)	14 1/2 (368)	7.20 (183)	4 1/2 (114)	4 1/2 (114)	7 (178)	-	-
	3 (76)	640-	WNF x WNF	1.938 (49)	6 (152)	15 (381)	8 1/2 (216)	4 1/2 (114)	4 1/2 (114)	9 (229)	-	-
	4 (102)	642-	WNF x WNF	2 5/8 (67)	8 (203)	19 1/2 (495)	11 1/4 (286)	5 3/4 (146)	5 3/4 (146)	10 1/2 (267)	-	-
	6 (152)	644-	WNF x WNF	3 3/4 (95)	11 1/2 (292)	24 (607)	14 1/2 (368)	6 1/4 (159)	6 1/4 (159)	11 1/2 (282)	-	-
	8 (203)	646-	WNF x WNF	5 1/2 (140)	12 7/8 (327)	25 3/8 (645)	16 1/2 (419)	6 1/4 (159)	7 (178)	13 1/2 (343)	-	-

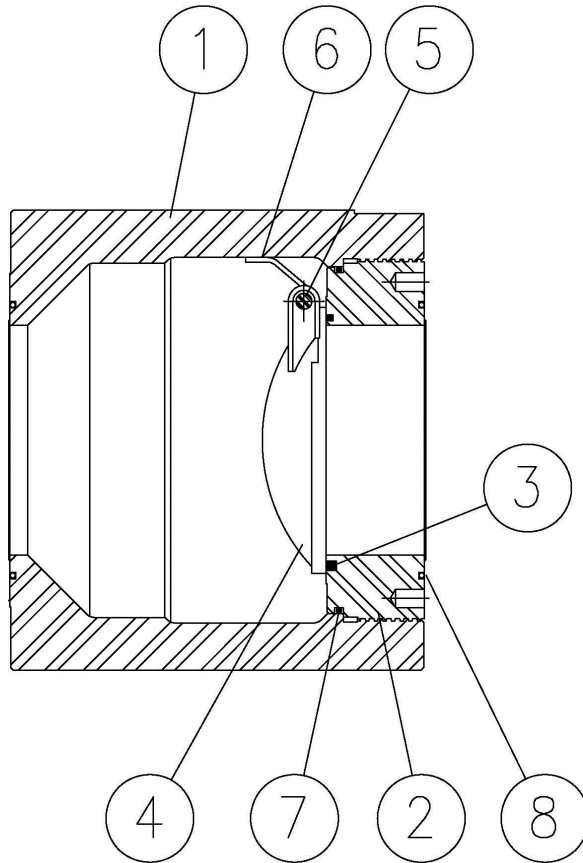


Assembly Part Numbers for Check Valves



NOT SHOWN

9 10 11 12



CHECK VALVE COMMON COMPONENT PARTS

INDEX	REQUIRED	DESCRIPTION	MATERIAL
1	1	Body	Carbon Steel or Alloy Steel
2	1	Seat Retainer	Carbon Steel or Alloy Steel
3	1	Seat Insert	Teflon
4	1	Disc	Nitronic 60, Incoloy, or 17-4PH S.S.
5	1	Shaft	17-4PH S.S.
6	1	Spring	Inconel X-750
7	1	Seat Retainer Seal	Buna, Viton, Peroxide Cured Buna, EPDM, AFLAS, Low Temp Buna
8	2	Face Seal	Buna, Viton, Peroxide Cured Buna, EPDM, AFLAS, Low Temp Buna
9	2	Shaft Retainer	302 S. S.
10	2	Shaft Retainer Seal	Buna, Viton, Peroxide Cured Buna, EPDM, AFLAS, Low Temp Buna
11	1	End Connection Assembly-"A"	Carbon Steel or Alloy Steel, B7 Bolting
12	1	End Connection Assembly-"B"	Carbon Steel or Alloy Steel, B7 Bolting



Assembly Part Numbers for Check Valve Repair Kit

