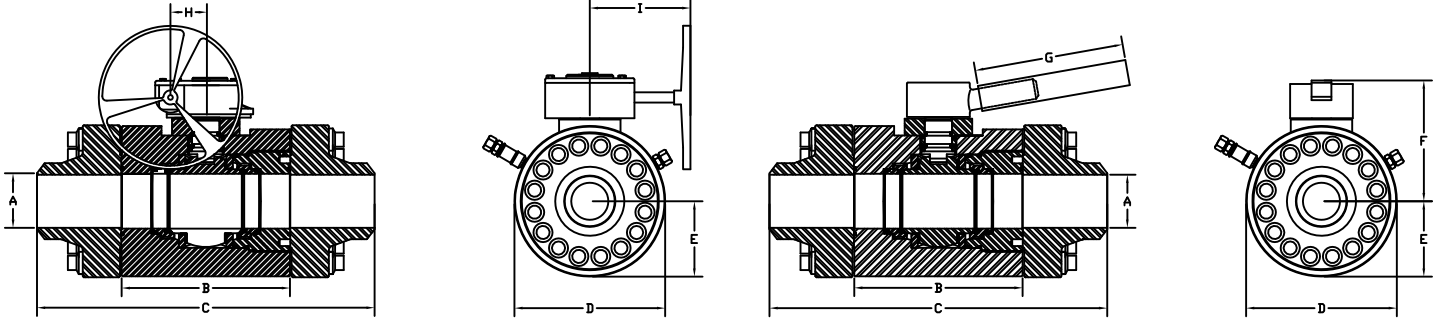


Ball Valves

BV1-Floating Ball Valve, BV2-Trunnion Ball Valve, BVT-Throttling Ball Valve



Working Pressure psi (bar)	Model	Nominal Valve Size in (mm)	Assembly Base No.	Std. End Configuration	Port Size in (mm)	Body Group Length in (mm)	Weld Ends Overall in (mm)	Body Width in (mm)	Below Center in (mm)	Height of Handle in (mm)	Length of Extension in (mm)	Offset from Center in (mm)	Hand Wheel from Center in (mm)
3705 (255)	BV1	1 (25)	129-	SLP x SLP	13/16 (21)	4 (102)	12 (305)	4 1/8 (105)	2 1/16 (52)	4 5/16 (110)	24 (610)	-	-
		2 (51)	116-	SLP x SLP	1 1/2 (38)	5 (127)	15 1/2 (394)	5 1/2 (140)	2 3/4 (70)	5 1/32 (128)	24 (610)	-	-
		3 (76)	123-	SLP x SLP	2 9/16 (65)	7 (178)	18 1/2 (470)	7 1/2 (191)	3 3/4 (95)	6 27/32 (174)	24 (610)	-	-
		4 (102)	124-	WNF x SLP	3 1/4 (83)	10 (254)	21 1/2 (546)	9 (229)	4 1/2 (114)	7 15/16 (202)	24 (610)	-	-
	BV2	3 (76)	222-	SLP x SLP	2 9/16 (65)	7 (178)	18 1/2 (470)	7 1/2 (191)	3 3/4 (95)	6 7/8 (175)	24 (610)	-	-
		4 (102)	223-	SLP x SLP	3 1/4 (83)	8 (203)	21 (533)	8 3/4 (222)	4 3/8 (111)	7 15/16 (202)	24 (610)	2.80 (71)	7.91 (201)
		4 (102)	225-	WNF x SLP	3 3/4 (95)	10 (254)	21 1/2 (546)	9 1/2 (241)	4 3/4 (121)	8 1/32 (204)	32 (813)	2.80 (71)	7.91 (201)
		6 (152)	226-	WNF x SLP	5 3/16 (132)	12 (305)	23 1/2 (597)	12 7/8 (327)	6 7/16 (164)	10 3/8 (264)	48 (1220)	3.39 (86)	7.44 (189)
		8 (203)	256-	WNF x SLP	7 1/16 (179)	15 (381)	29 (737)	16 1/2 (419)	8 1/4 (210)	-	-	5.12 (130)	10.83 (275)
		10 (254)	258-	WNF x WNF	9 1/16 (230)	18 (457)	33 (838)	20 (508)	10 (254)	-	-	5.12 (130)	10.83 (275)
BVT	2 (51)	816-	SLP x SLP	1 1/2 (38)	5 (127)	15 1/2 (394)	5 1/2 (140)	2 3/4 (70)	5 1/32 (128)	24 (610)	-	-	
5000 (344)	BV1	1 (25)	129-	SLP x SLP	13/16 (21)	4 (102)	12 (305)	4 1/8 (105)	2 1/16 (52)	4 5/16 (110)	24 (610)	-	-
		2 (51)	116-	SLP x SLP	1 1/2 (38)	5 (127)	15 1/2 (394)	5 1/2 (140)	2 3/4 (70)	5 1/32 (128)	24 (610)	-	-
		3 (76)	123-	SLP x SLP	2 9/16 (65)	7 (178)	18 1/2 (470)	7 1/2 (191)	3 3/4 (95)	6 27/32 (174)	24 (610)	-	-
		4 (102)	124-	WNF x SLP	3 1/4 (83)	10 (254)	21 1/2 (546)	9 (229)	4 1/2 (114)	7 15/16 (202)	24 (610)	-	-
	BV2	3 (76)	222-	SLP x SLP	2 9/16 (65)	7 (178)	18 1/2 (470)	7 1/2 (191)	3 3/4 (95)	6 7/8 (175)	24 (610)	-	-
		4 (102)	224-	WNF x SLP	3 1/4 (83)	10 (254)	21 1/2 (546)	9 (229)	4 1/2 (114)	7 15/16 (202)	8 5/32 (207)	3.39 (86)	7.44 (189)
		6 (152)	228-	WNF x SLP	4 3/4 (121)	13 (330)	26 (660)	13 (330)	6 1/2 (165)	-	-	3.39 (86)	7.44 (189)
		6 (152)	236-	WNF x SLP	5 3/16 (132)	13 (330)	26 (660)	12 7/8 (327)	6 7/16 (164)	-	-	3.39 (86)	7.44 (189)
		8 (203)	256-	WNF x SLP	7 1/16 (179)	15 (381)	29 (737)	16 1/2 (419)	8 1/4 (210)	-	-	5.12 (130)	10.83 (275)
		10 (254)	258-	WNF x WNF	9 1/16 (230)	18 (457)	33 (838)	20 (508)	10 (254)	-	-	5.12 (130)	10.83 (275)
BVT	2 (51)	816-	SLP x SLP	1 1/2 (38)	5 (127)	15 1/2 (394)	5 1/2 (140)	2 3/4 (70)	5 1/32 (128)	24 (610)	-	-	
6000 (413)	BV1	1 (25)	129-	SLP x SLP	13/16 (21)	4 (102)	12 (305)	4 1/8 (105)	2 1/16 (52)	4 5/16 (110)	24 (610)	-	-
		2 (51)	116-	SLP x SLP	1 1/2 (38)	5 (127)	15 1/2 (394)	5 1/2 (140)	2 3/4 (70)	5 1/32 (128)	24 (610)	-	-
		3 (76)	123-	SLP x SLP	2 9/16 (65)	7 (178)	18 1/2 (470)	7 1/2 (191)	3 3/4 (95)	6 27/32 (174)	24 (610)	-	-
		4 (102)	124-	WNF x SLP	3 1/4 (83)	10 (254)	21 1/2 (546)	9 (229)	4 1/2 (114)	7 15/16 (202)	24 (610)	-	-
	BV2	3 (76)	221-	SLP x SLP	2 1/4 (57)	7 (178)	18 1/2 (470)	7 1/2 (191)	3 3/4 (95)	6 13/16 (173)	24 (610)	-	-
		4 (102)	224-	WNF x SLP	3 1/4 (83)	10 (254)	21 1/2 (546)	9 (229)	4 1/2 (114)	7 15/16 (202)	8 5/32 (207)	3.39 (86)	7.44 (189)
		6 (152)	228-	WNF x SLP	4 3/4 (121)	13 (330)	26 (660)	13 (330)	6 1/2 (165)	-	-	3.39 (86)	7.44 (189)
		8 (203)	256-	WNF x SLP	7 1/16 (179)	15 (381)	29 (737)	16 1/2 (419)	8 1/4 (210)	-	-	5.12 (130)	10.83 (275)
		10 (254)	258-	WNF x WNF	9 1/16 (230)	18 (457)	33 (838)	20 (508)	10 (254)	-	-	5.12 (130)	10.83 (275)
		12 (305)	264-	WNF x WNF	9 3/4 (250)	20 (508)	37 (940)	22 1/2 (572)	11 1/4 (286)	-	-	-	-
BVT	2 (51)	816-	SLP x SLP	1 1/2 (38)	5 (127)	15 1/2 (394)	5 1/2 (140)	2 3/4 (70)	5 1/32 (128)	24 (610)	-	-	
10,000 (689)	BV1	1 (25)	129-	SLP x SLP	13/16 (21)	4 (102)	12 (305)	4 1/8 (105)	2 1/16 (52)	4 5/16 (110)	24 (610)	-	-
		2 (51)	130-	SLP x SLP	1 1/2 (38)	5 1/2 (140)	16 (406)	6 (152)	3 (76)	5 1/8 (130)	24 (610)	-	-
	BV2	3 (76)	233-	WNF x WNF	2 5/8 (67)	8 (203)	18 (457)	9 (229)	4 1/2 (114)	7 13/32 (190)	32 (813)	3.39 (86)	7.44 (189)
		4 (102)	234-	WNF x WNF	3 1/8 (79)	9 (229)	20 (508)	10 (254)	5 (127)	9 3/16 (233)	32 (813)	3.39 (86)	7.44 (189)
		6 (152)	235-	WNF x WNF	4 1/8 (105)	12 (305)	24 1/2 (622)	12 3/4 (324)	6 3/8 (162)	-	-	4.11 (104)	9.06 (230)
		6 (152)	366-	WNF x WNF	5.18 (132)	14 (356)	26 1/2 (673)	15 3/4 (400)	7 7/8 (200)	-	-	5.12 (130)	10.83 (275)
		8 (203)	261-	WNF x WNF	6.225 (158)	15 (381)	31 (787)	17 1/2 (445)	8 1/2 (216)	-	-	-	-
		10 (254)	262-	WNF x WNF	7 3/4 (197)	17 (432)	33 (838)	21 (533)	10 1/2 (267)	-	-	-	-
	BVT	2 (51)	830-	SLP x SLP	1 1/2 (38)	5 1/2 (140)	16 (406)	6 (152)	3 (76)	5 1/8 (130)	24 (610)	-	-
	15,000 (1,034)	BV2	1 (25)	137-	WNF x WNF	.60 (15)	4 3/4 (121)	10 3/4 (273)	4 3/8 (111)	2 3/16 (56)	4 11/32 (110)	24 (610)	-
2 (51)			238-	WNF x WNF	1 1/2 (38)	7 (178)	16 (406)	7.20 (183)	3.6 (91)	5.83 (148)	-	-	-
3 (76)			240-	WNF x WNF	1.9 (48)	9 (229)	18 (457)	9.90 (251)	4.95 (126)	-	-	-	-
4 (102)			242-	WNF x WNF	2.6 (66)	10 1/2 (267)	22 (559)	11.70 (297)	5.85 (149)	-	-	-	-
6 (152)			244-	WNF x WNF	3 5/8 (92)	11 1/2 (292)	24 (607)	14 3/4 (375)	7.38 (187)	-	-	5.12 (130)	10.83 (275)
8 (203)			246-	WNF x WNF	5 5/8 (134)	13 1/2 (343)	27 1/2 (699)	19.20 (488)	9.60 (244)	-	-	-	-
BVT	10 (254)	266-	WNF x WNF	7 3/4 (197)	17 (432)	33 (838)	21 (533)	10 1/2 (267)	-	-	-	-	